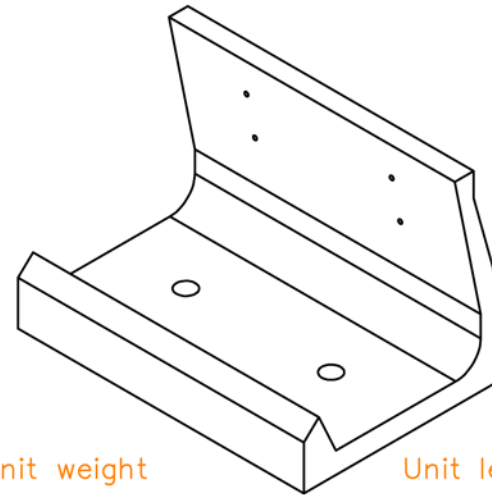
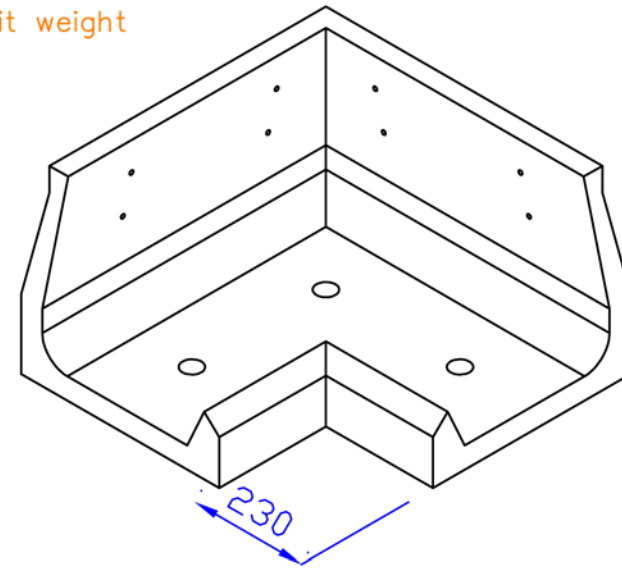
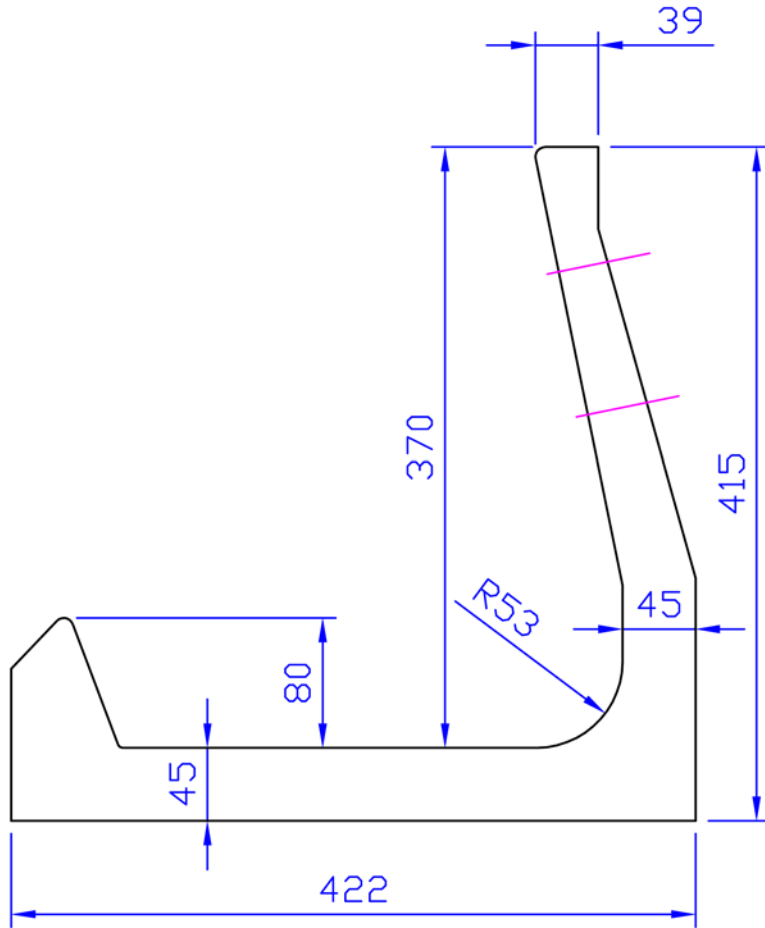


Corner unit weight  
90kg.



610mm unit weight  
52kg

Unit length 610mm